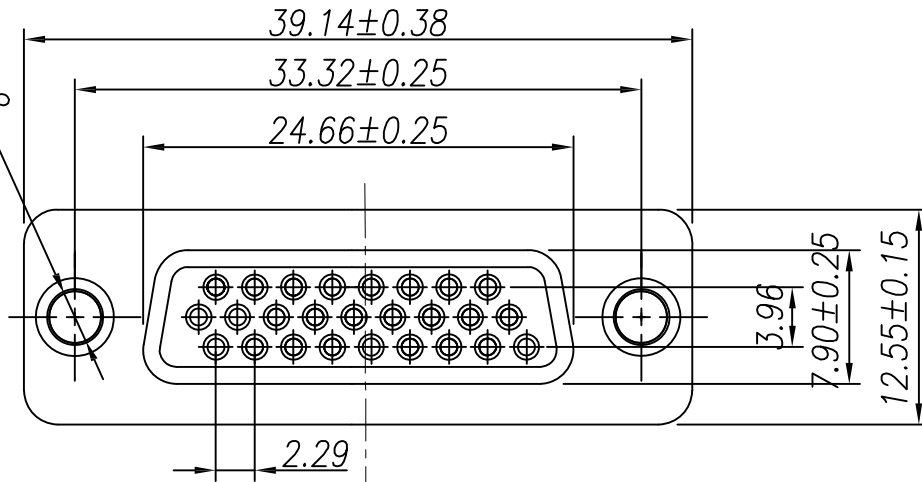


A-40UNC-2



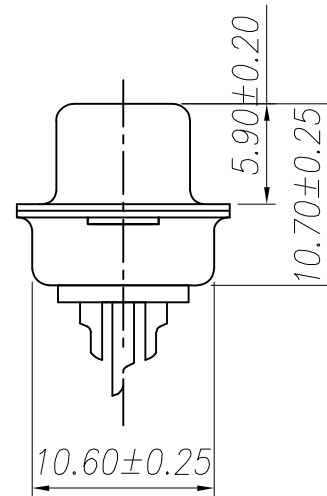
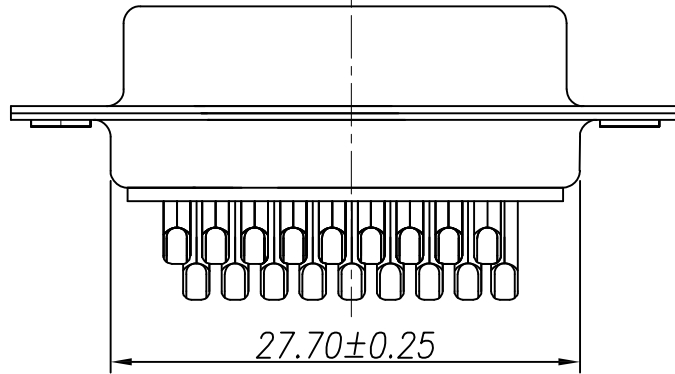
Note:

1.Material:

- 1.1 Insulator: PBT
- 1.2 Contact: C2680
- 1.3 Shell: SPCC

2.Specification:

- 2.1 Contact Resistance: 25mΩ Max.
- 2.2 Dielectric Withstanding Voltage: 500V(AC)
- 2.3 Insulation Resistance: 500 MΩ Min
- 2.4 Insert Force: 10.0 Kgf Max.
- 2.5 Withdraw Force: 1.05 Kgf Min.
- 2.6 Temperature Range: -50°C~+105°C
- 2.7 Durability: 600 Times at speed 200 times/hr



RoHS  
Compliant

Order Information :

DSSLH-F 26 X XX X -59

Hi D-Sub Solder Female  
Traditional Type Series

Pin

X:Without any screw  
and accessories

G1:Gold Flash  
G4:Gold 15u"  
G5:Gold 30u"

C:Black  
B:Blue

REV.	REVISION RECORD	DATE	LINEAR 0.0 ±0.35 0.00±0.20		ANGLES ±3°	
A	Original	11/13/15'			UNIT: mm	
			A4	NAME	DATE	DWG.NO.: DSSLH-F26XXXX-59    REV. A
			APPROVED	COLIN		
			DESIGNER	KEN		
			DRAWN	AMY		